

JOB NAME: _____

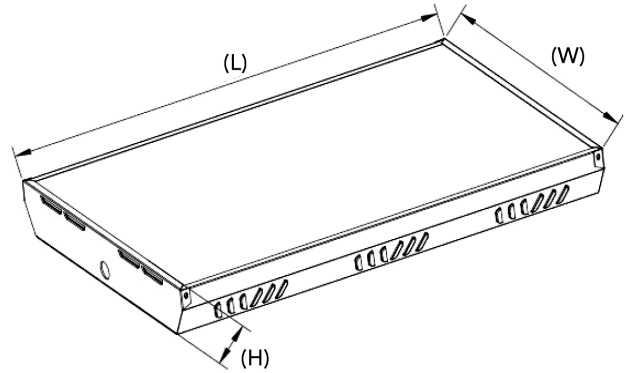
DATE: _____

TYPE: _____



DIMENSIONS:

46"(L) x 1/8-7/8"(W) x 2-6/8"(H)



LLHB-120W-40K-D

LED LINEAR HIGH BAYS

Ideal for one-for-one replacement of conventional lighting systems such as HID and fluorescent. Applications include manufacturing, warehousing and other large indoor spaces

ELECTRICAL SPECIFICATIONS:

- Voltage: 120~277 VAC/50~60 Hz
- Wattage: 100W
- Power factor: >0.9
- Efficacy: 155LM/W

HOUSING SPECIFICATIONS:

- Housing: Steel
- Steel Thickness: 24 Gauge
- With V-hooks
- Operating temperature: -40°F ~ 122°F

CERTIFICATIONS: UL, DLC



WARRANTY: 5 years

MODEL	WATTS	VOLTAGE	LUMENS	COLOR TEMP
LLHB-120W-40K-D	100W	100~277V AC	15500LM	4000K
LLHB-120W-50K-D	100W	100~277V AC	15500LM	5000K

OPTIONAL ACCESSORIES:



MODEL	DESCRIPTION
WEC-2P-58	Standard Motion Sensor with Manual Settings, 120/277V 800/1300W max
WEC-3MR-4-WH	Outdoor Multi-Level Microwave motion Sensor with 1/2" thread
WEC-7RC	Remote control for WEC-3MR-4-WH Motion Sensor
LLHB-SMK	Surface mount kit, 1 pair of L bracket with Screws
CH-1212	Steel jack chain, 100ft., 12GA
CH-1010	Steel jack chain, 100ft., 10GA
FH-E	Steel fixture hangers, 10GA, Top (2 Included)
LH-SCREW	Steel flat hanger screw with single hole, 1/4" x 3"
ELB-2048-EXTR	Field-installed emergency driver, Input voltage: 100~277AC, Output voltage: 12V~48VDC, Output power: 20W (Max), Emergency operation: ≥90 mins., Recharge: 24 Hrs

LIGHTING SPECIFICATIONS:

- Dimming: 0~10V dimmable
- LED SMD type: Edison 2835
- Lens: Frosted PMMA (Plastic)
- Driver: Towin Driver
- Total lumens: 15500LM(Updated higher lumens at lower wattages. Per industry standards, Lumens are reported without frosted lens (Removable))
- Color temperature: 4000K/5000K

